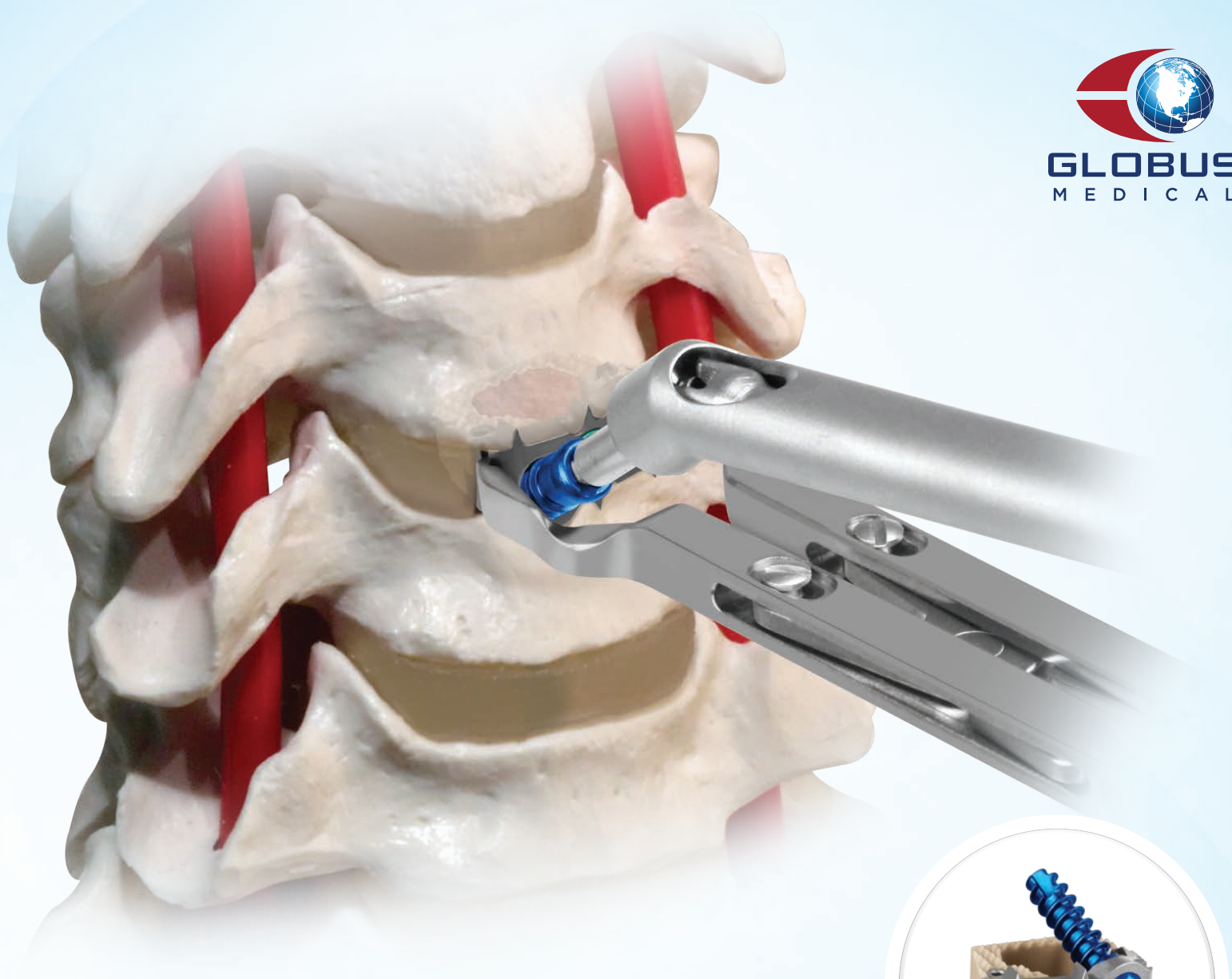




GLOBUS
MEDICAL



COALITION[®]

Stand-Alone ACDF System

Outside the US Only

SURGICAL TECHNIQUE GUIDE

GLOBUSMEDICAL.COM | *Life moves us* 



Our mission is to deliver cutting-edge technology, research, and innovative solutions to promote healing in patients with musculoskeletal disorders.

Life moves us 

The Surgical Technique shown is for illustrative purposes only. The technique(s) actually employed in each case always depends on the medical judgment of the surgeon exercised before and during surgery as to the best mode of treatment for each patient. Additionally, as instruments may occasionally be updated, the instruments depicted in this Surgical Technique may not be exactly the same as the instruments currently available. Please consult with your sales representative or contact Globus directly for more information.

SURGICAL TECHNIQUE GUIDE

COALITION®

Implant Overview	6
Instrument Overview	7
Surgical Technique	
1. Approach and Disc Preparation	15
2. Distraction	16
3. Discectomy/Endplate Preparation	18
4. Implant Sizing	19
5. Insertion	19
<i>Using the Implant/Drill Guide Insertion Holder.</i>	20
<i>Using the Lateral Holder and Self-Centering Instruments</i>	21
<i>Assembling the Angled Instruments</i>	22
6. Screw Hole Preparation	24
<i>Using the Drill Sleeve Adjuster</i>	24
7. Screw Insertion	25
8. Screw Blocking	26
Final Position	27
Optional Techniques	28
Additional Specifications	29
COALITION® Implant Sets	32
COALITION® Instrument Set	38
COLONIAL® Instrument Set	44
COALITION® 12° Set	48

COALITION®

Stand-Alone ACDF System

COALITION® is an integrated plate and spacer system designed to provide the biomechanical strength of a traditional ACDF while minimizing disruption to patient anatomy and preserving the natural anatomical profile of the spine.

COALITION® provides six points of fixation: two lag screws that compressively load the graft area and four torsional stabilizers that enhance rotational stability. In treating the adjacent segment, COALITION® may not require the removal of the adjacent plate, which may help to reduce operating time and patient trauma.

Natural Anatomical Profile

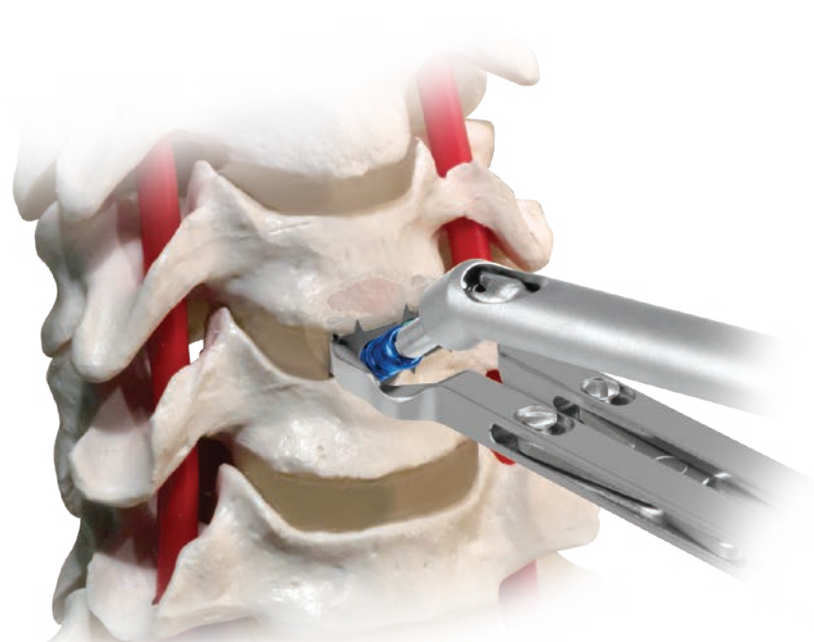
Integrated plate and spacer designed to preserve the natural anatomical profile of the cervical vertebral body.

Less Disruptive

The system streamlines the entire ACDF procedure and facilitates a less invasive approach through a small incision with less retraction, especially in adjacent segment treatment.

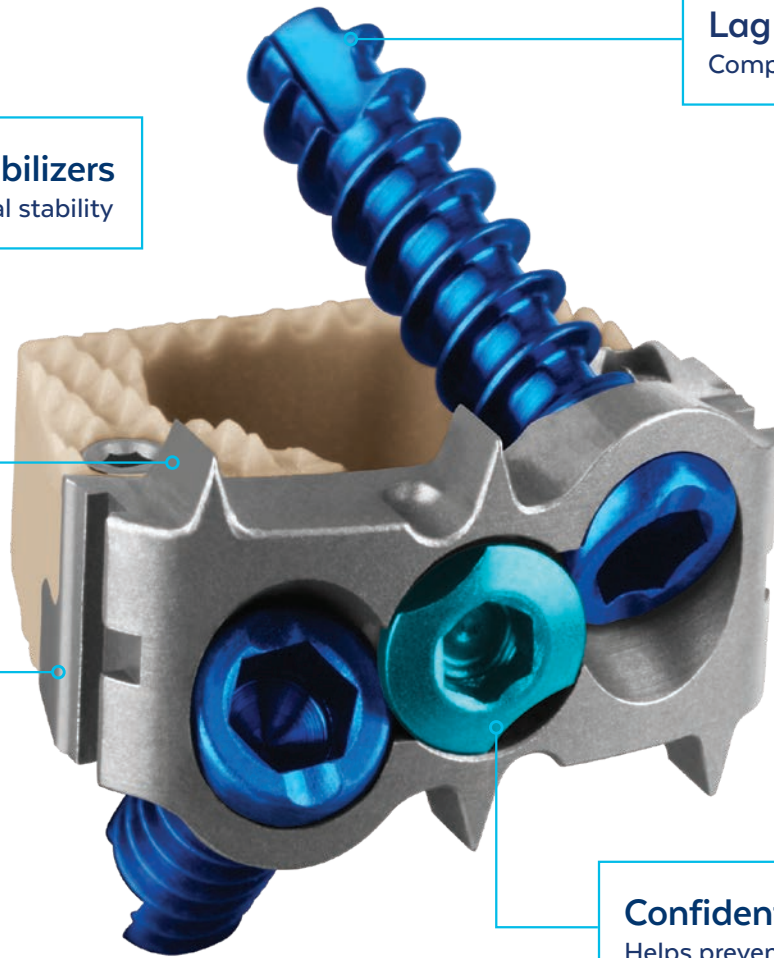
Biomechanical Strength and Stability

Biomechanically comparable to a traditional ACDF (spacer and plate) and a competitive 4-screw integrated spacer.*



Torsional Stabilizers
Enhance rotational stability

Lag Screws
Compressively load graft



Integrated Plate & Spacer
Designed to preserve anatomical profile

Confident Blocking
Helps prevent screw backout

IMPLANT OVERVIEW

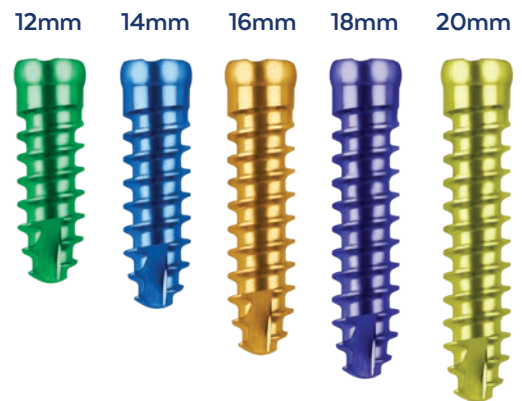
COALITION® Spacer

- Anatomical profile plate, screw and spacer system
- Three axial footprints (12x14mm, 14x16mm, 15x18mm)
- Three sagittal profiles (0°, 7°, and 12°)
- Eight heights (5-12mm)
- Four torsional stabilizers
- Audible, tactile, and visual confirmation of screw blocking
- Pre-assembled blocking mechanism
- Pre-assembled titanium and PEEK spacer



Variety of Screw Sizes

- 3.6mm or 4.2mm diameter
- Self-drilling or self-tapping
- Lengths from 12-20mm
- Variable and fixed angle screws



Screw Angulation

- Screw orientation is 35° cephalad/caudal
- Variable angle screws up to $\pm 4^\circ$
- Medial orientation: 16°, 12° and 14°

COALITION® Instrumentation

- Minimally invasive system and technique
- Grip style holder or pre-set angle DTS guide holder for surgeon preference
- Self-centering instruments ensure proper trajectory without the use of DTS guides

Variable Angle Screw



Fixed Angle Screw







INSTRUMENT OVERVIEW

DISTRACTION INSTRUMENTS

Note: The COLONIAL[®] Instrument Set, 965.905, is required for surgery.



Locking Nuts 665.606

	Height	Part No.
	12mm	665.612
	14mm	665.614
	16mm	665.616
	18mm	665.618

Distractor Pins



Distractor Pin Driver 665.608

COLONIAL® TRIAL RASPS



12x14mm

Height	0°	7°
5mm	665.325	-
6mm	665.326	665.426
7mm	665.327	665.427
8mm	665.328	665.428
9mm	665.329	665.429
10mm	665.330	665.430
11mm	665.331	665.431
12mm	665.332	665.432

COLONIAL® TRIALS



12x14mm

Height	0°	7°
5mm	665.305	665.405
6mm	665.306	665.406
7mm	665.307	665.407
8mm	665.308	665.408
9mm	665.309	665.409
10mm	665.310	665.410
11mm	665.311	665.411
12mm	665.312	665.412

14x16mm

Height	0°	7°
5mm	665.805	665.705
6mm	665.806	665.706
7mm	665.807	665.707
8mm	665.808	665.708
9mm	665.809	665.709
10mm	665.810	665.710
11mm	665.811	665.711
12mm	665.812	665.712

15x18mm

Height	0°	7°
5mm	665.045	665.065
6mm	665.046	665.066
7mm	665.047	665.067
8mm	665.048	665.068
9mm	665.049	665.069
10mm	665.050	665.070
11mm	665.051	665.071
12mm	665.052	665.072

COALITION® 12° TRIALS




Height	12x14mm	14x16mm	15x18mm
6mm	684.726	684.736	684.746
7mm	684.727	684.737	684.747
8mm	684.728	684.738	684.748
9mm	684.729	684.739	684.749
10mm	684.730	684.740	684.750
11mm	684.731	684.741	684.751
12mm	684.732	684.742	684.752

Note: COALITION® 12° lordotic is not available in a 5mm height. 12° trials are included in the additionally available COALITION® 12° Set.

IMPLANT INSERTION INSTRUMENTS



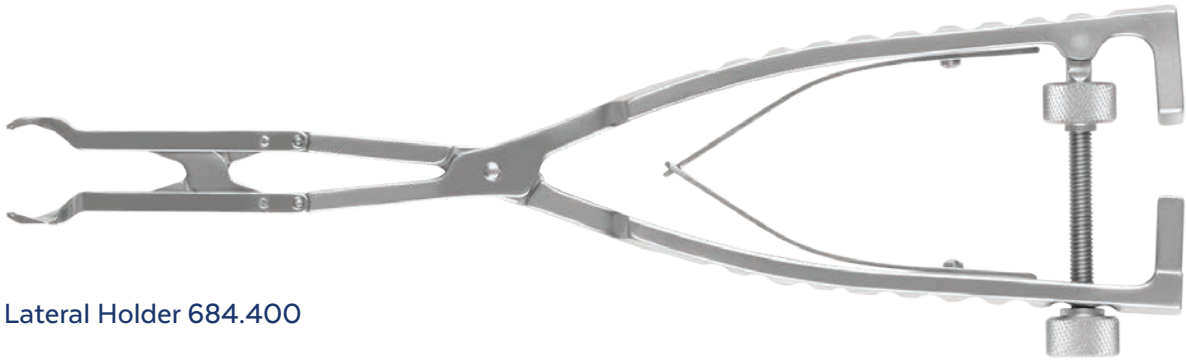
Inner Shaft



Outer Shaft



Implant/Drill Guide Insertion Holder (Assembled) 684.001



Lateral Holder 684.400



Impactor 665.607

COALITION® DTS Guides, Pre-Set Angle



Height	12x14mm
5mm	684.155
6mm	684.156
7mm	684.157
8mm	684.158
9mm	684.159
10mm	684.160
11mm	684.161
12mm	684.162



Height	14x16mm
5mm	684.165
6mm	684.166
7mm	684.167
8mm	684.168
9mm	684.169
10mm	684.170
11mm	684.171
12mm	684.172



Height	15x18mm
5mm	684.175
6mm	684.176
7mm	684.177
8mm	684.178
9mm	684.179
10mm	684.180
11mm	684.181
12mm	684.182

Freehand Gripping Tips



Freehand Gripping Tip
12x14mm 684.113



Freehand Gripping Tip
14x16mm 684.123



Freehand Gripping Tip
15x18mm 684.133

STRAIGHT INSTRUMENTS



Quick-Connect Handle, Swivel 636.450



Awl Straight with Self-Centering Sleeve* 684.403



Tap, Straight* 684.004



Awl with Retractable Sleeve* 684.006



Drills, Straight with Self-Centering Sleeve*

Length	Part No.
12mm	684.422
14mm	684.424
16mm	684.426
18mm	684.428
20mm	684.430



Screwdriver, 2.5mm Hex, Self-Retaining, with Cap 684.305

ANGLED INSTRUMENTS



Awl, Bent with Self-Centering Sleeve* 684.404



Angled Driver Body 684.415



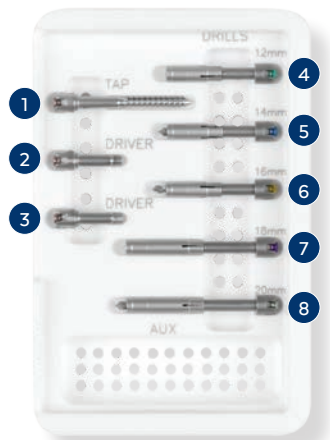
Backing Nut 684.416



Angled Driver Shaft 684.417



Angled Driver Assembly
 Awl, Bent with Self-Centering Sleeve* 684.404
 Angled Driver Body 684.415
 Backing Nut 684.416
 Angled Driver Shaft 684.417



	Part No.	Angled Instrument
1	684.419	Angled Tap*
2	684.418	Angled Driver
3	684.418	Angled Driver
4	684.432	Angled Drill - 12mm*
5	684.434	Angled Drill - 14mm*
6	684.436	Angled Drill - 16mm*
7	684.438	Angled Drill - 18mm*
8	684.440	Angled Drill - 20mm*

Angled Tap/Angled Driver/Angled Drills



Counter-Torque 684.421

*Instrument dimensions are provided on page 30.

ADDITIONAL INSTRUMENTS



Self-Centering Sleeve, Short 684.401



Self-Centering Sleeve, Long 684.402



Drill Sleeve Adjuster 684.309

SET SCREW INSTRUMENTS



Set Screw Positioner, 2.0mm Hex, Torque-Limiting (0.3Nm Torque) 650.312



Screwdriver, 2.1mm Hex, QC 671.313

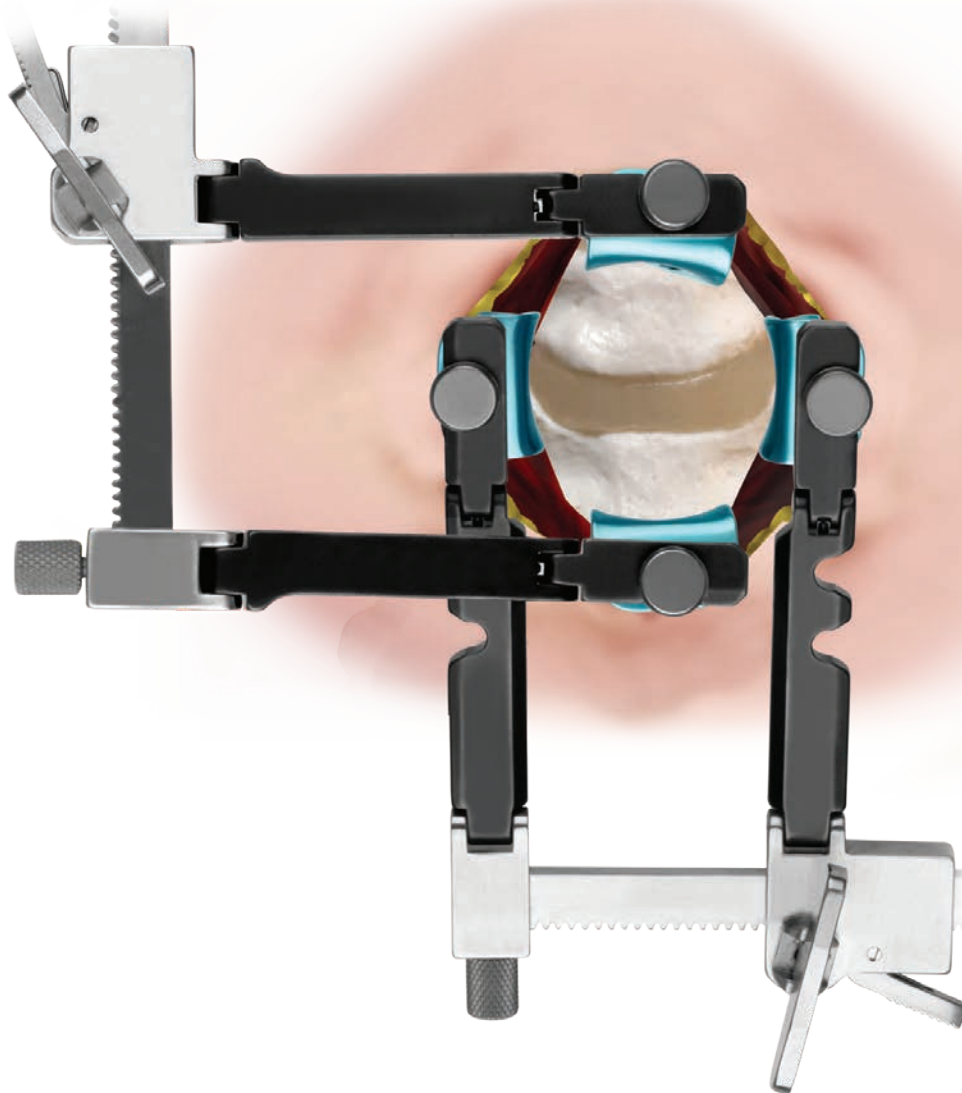
SURGICAL TECHNIQUE

COALITION[®]

Please refer to the product information for complete description, indications, contraindications and warnings associated with this system.

STEP 1 APPROACH AND DISC PREPARATION

The patient is placed under anesthesia and positioned supine with support of the posterior cervical spine to maintain cervical lordosis. Traditional cervical retractors may be used. The operative area is carefully cleaned and an incision is made at the appropriate fusion level.



STEP

2

DISTRACTION

Distraction may be accomplished using the **Distractor, Left or Right** or other standard methods.

To use the Distractor, determine pin placement within the vertebral bodies. Select the appropriate pin length and place the **Distractor Pins** into adjacent vertebral bodies using the **Distractor Pin Driver**. Care should be taken in placing pins to avoid interference with COALITION® screw locations.



Insertion of Distractor Pins



Distractor Pins inserted

Place the Distractor (right or left) over pins until seated. Secure the Distractor by attaching the **Locking Nuts** and rotating clockwise. Rotate the ratchet handle to distract to the desired amount, being careful not to over-distract the segment. This method may be used throughout the technique to provide visualization and access to the disc and osseous structures.

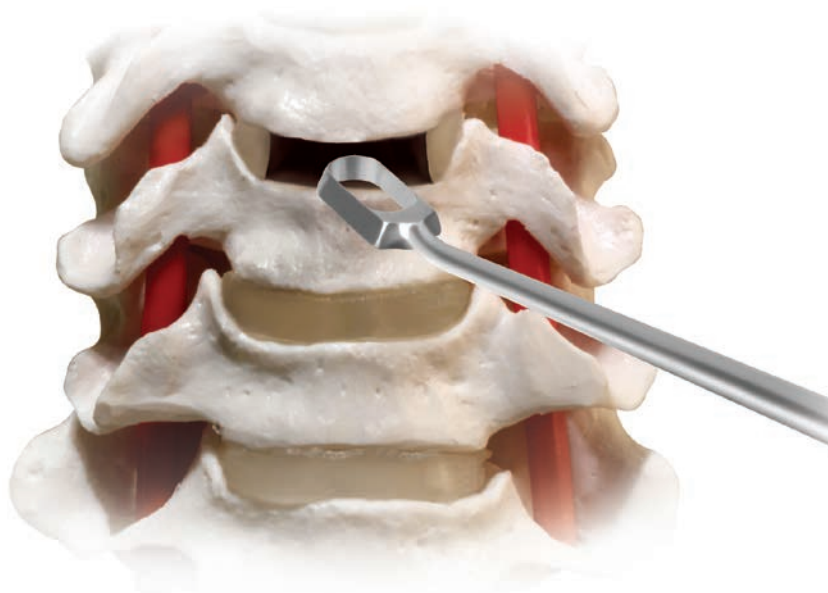


Distracting disc space
using Distractor

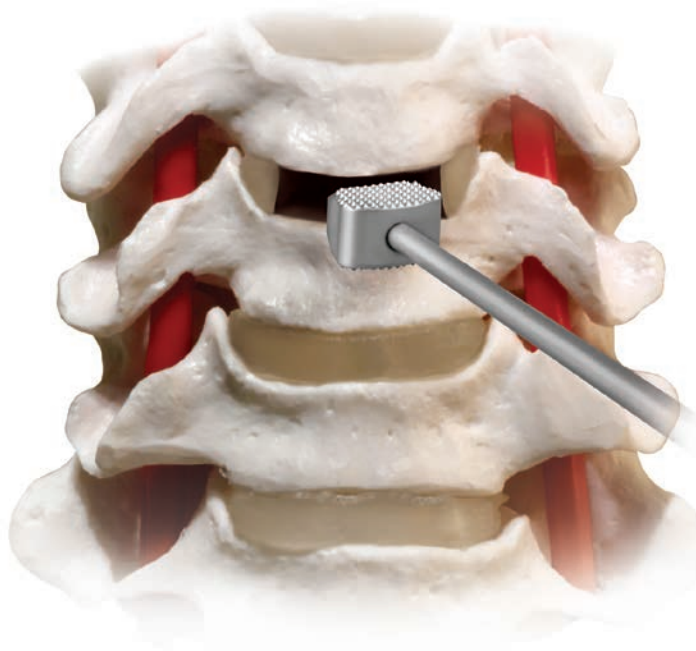
STEP**3****DISCECTOMY/ENDPLATE PREPARATION**

Leaving the lateral annulus intact, remove the intervertebral disc and osteophytes as needed, using rongeurs and other preparation instruments. The **Box Curette** can be used to remove the disc, as well as superficial layers of the cartilaginous endplates to expose bleeding bone. Alternatively, **Trial Rasps** match the trial design and can be used to expose bleeding bone.

Note: Avoid excessive endplate preparation as this may weaken the vertebral endplates and result in postoperative subsidence.



Endplate preparation using Box Curette



Endplate preparation using Trial Rasp

STEP

4

IMPLANT SIZING

Determine the appropriate implant profile for the desired segment. Insert the smallest Trial into the disc space first, moving to larger Trials as needed. Determine which Trial best fits the prepared disc space. A secure fit is desirable to maintain disc height and to stabilize the segment. Confirm using fluoroscopy and tactile feedback.



Trialing for implant size

STEP

5

INSERTION

Select the appropriate size implant. Pack the center of the implant with autogeneous bone graft material.

Insert the implant with either the **Implant/Drill Guide Insertion Holder** or the **Lateral Holder**. For the purpose of this technique, the Implant/Drill Guide Insertion Holder is shown. Refer to page 21 for the Lateral Holder technique.

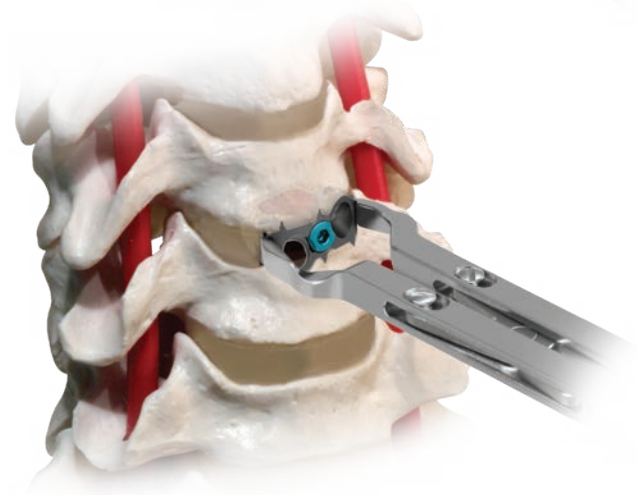
Assemble the holder and attach the appropriate sized **DTS Guide**, **Pre-Set Angle** or **Free Hand Gripping Tip**.

Load the implant onto the chosen implant holder and insert into the intervertebral space. Light impaction may be used to assist with insertion. The plate and spacer should be flush with the anterior lip of the vertebral body.

Note: The same screw hole preparation instruments are used for the Implant/Drill Guide Insertion Holder and the Lateral Holder.



Using Implant/Drill Guide Insertion Holder



Using Lateral Holder

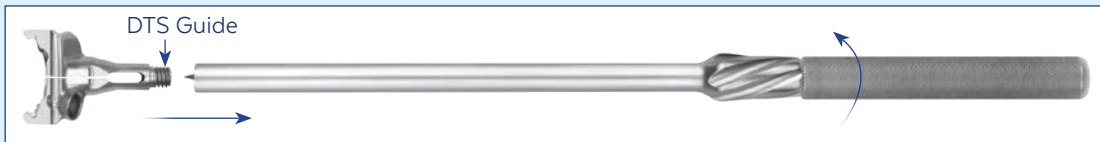
⚙️ USING THE IMPLANT/DRILL GUIDE INSERTION HOLDER

The Implant/Drill Guide Insertion Holder is stored in the graphic case as two pieces. To assemble the holder, slide the **Outer Shaft** over the **Inner Shaft** and thread by rotating the Inner Shaft clockwise as shown below. Continue to rotate until contact is made between the Inner and Outer Shaft.

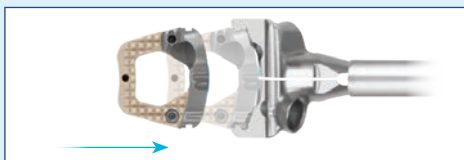
Note: Do not continue to rotate the shaft after initial contact.



Connect the DTS guide by rotating the handle of the Inner Shaft clockwise until secure (as shown below).



Prior to loading the implant, confirm that the Outer and Inner Shafts are touching. Snap the implant onto the DTS guide. The implant is held lightly by the holder but is not yet secured.

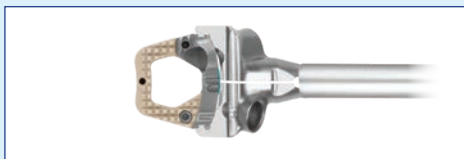


Snap implant onto DTS guide

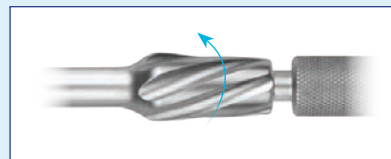


Implant loading position

To secure the implant to the holder, rotate the Outer Shaft clockwise until it stops. The implant is now secured to the holder.

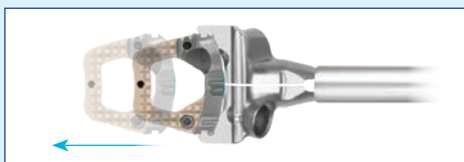


Implant secured into DTS guide

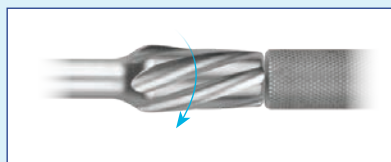


Secured position

To release the implant, hold the Inner Shaft and rotate the Outer Shaft counterclockwise until the Inner Shaft and Outer Sleeve touch.

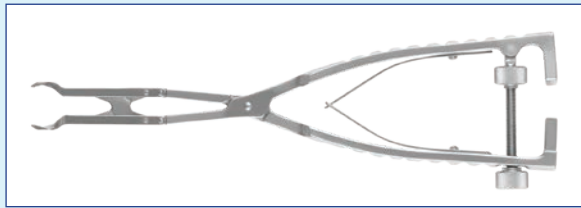


Implant releases from DTS guide

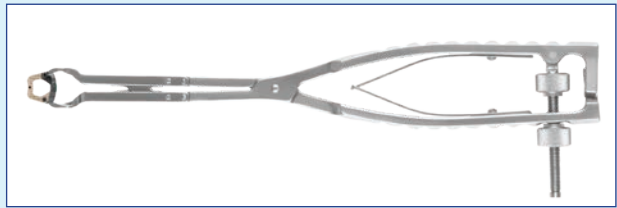


Disengaged position

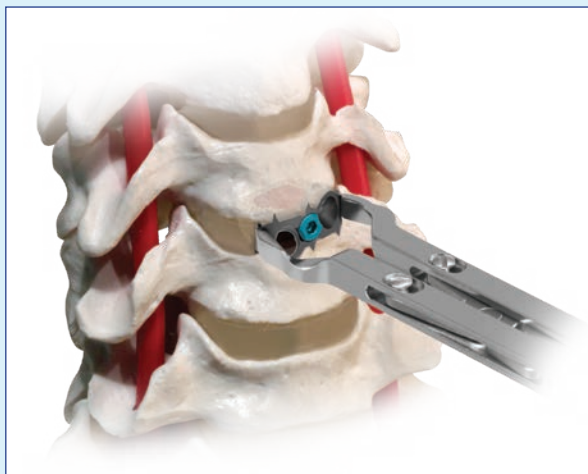
⚙️ USING THE LATERAL HOLDER AND SELF-CENTERING INSTRUMENTS



Fully open the Lateral Holder by rotating the locking nut counterclockwise.



Place the implant on the Lateral Holder, compress the handles and rotate the locking nut clockwise until finger tight.



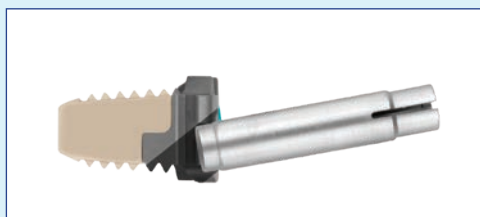
Insert the implant into the disc space.



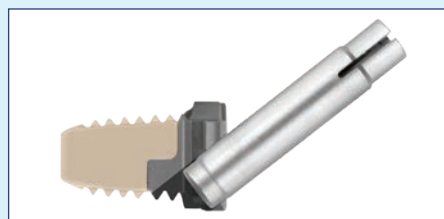
Insert an **Awl with Self-Centering Sleeve** to break the cortex. The **Self-Centering Drill and Tap** may be used to further prepare the screw hole. Depending on the angle and position, a straight or angled instrument may be used.

ALIGNING THE SELF-CENTERING SLEEVE

The Self-Centering Sleeve ensures proper screw trajectory without the use of a drill guide. The sleeve must be properly engaged with the plate before advancing any screw hole preparation instruments. Proceed to screw insertion prior to preparing the remaining screw hole.



X INCORRECT



✓ CORRECT

ASSEMBLING THE ANGLED INSTRUMENTS

Select the appropriate **Tip** (Angled Driver, Angled Drill* or Angled Tap*)

Hold the **Angled Driver Body** pointed downward with the cutout facing upward. Insert the selected tip into the cutout on the distal end of the driver body.



Insert the **Angled Driver Shaft** into the driver body until the gears on the shaft mesh with the gears on the selected tip.



Place the **Backing Nut** over the shaft. Rotate the threads clockwise until the nut sits flush with the driver body.



Attach a **Quick-Connect Handle, Swivel**. The driver is now ready for use.

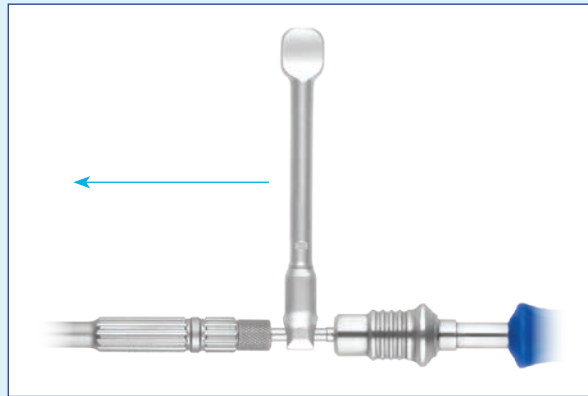


*Instrument dimensions are provided on page 30.

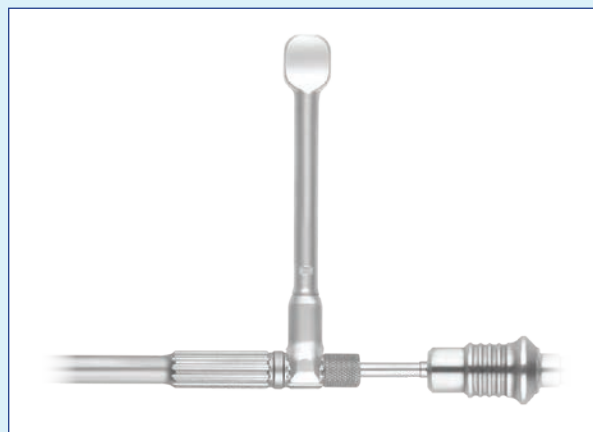
ASSEMBLING THE ANGLED INSTRUMENTS (CONT'D)

For additional control of the distal tip, a **Counter-Torque** handle may be attached.

Starting from the top, slide the Counter-Torque from the smooth portion of the Angled Driver Body to the knurled portion until fully seated.

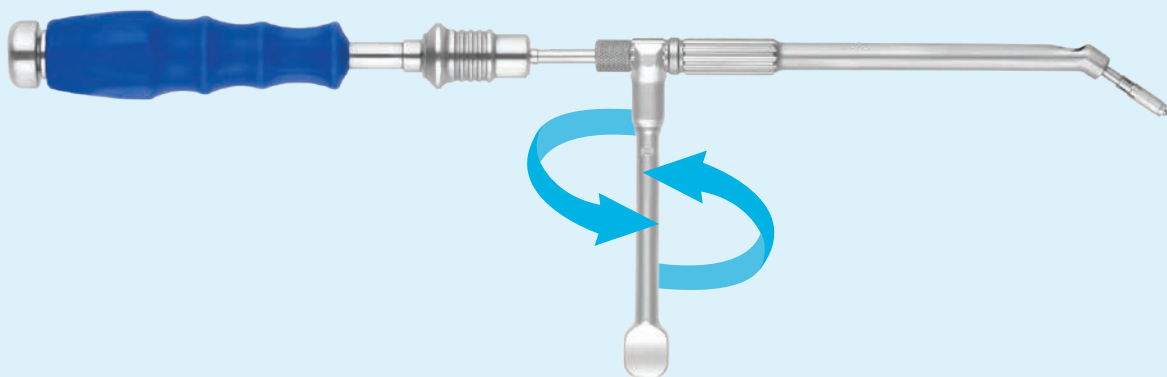


Attaching Counter-Torque



Counter-Torque in final position

Rotate the Counter-Torque clockwise to final tighten.



Using the Pre-Set Angle Drill Guide

Start each pilot screw hole by inserting the **Awl, Bent with Self-Centering Sleeve*** through the pre-set angle drill guide.

Determine the desired drill depth and select the appropriate fixed length drill. The drills are color-coded by screw length. Insert the drill into the drill guide and drill to stop.

Screw holes may also be tapped using the **Straight or Angled Tap.***



Using Awl, Bent with Self-Centering Sleeve



Using Angled Drill with Self-Centering Sleeve

**Instrument dimensions are provided on page 30.*

⚙️ USING THE DRILL SLEEVE ADJUSTER

Ensure that the drill sleeve is in its proper position by gripping the drill sleeve with the **Drill Sleeve Adjuster**.



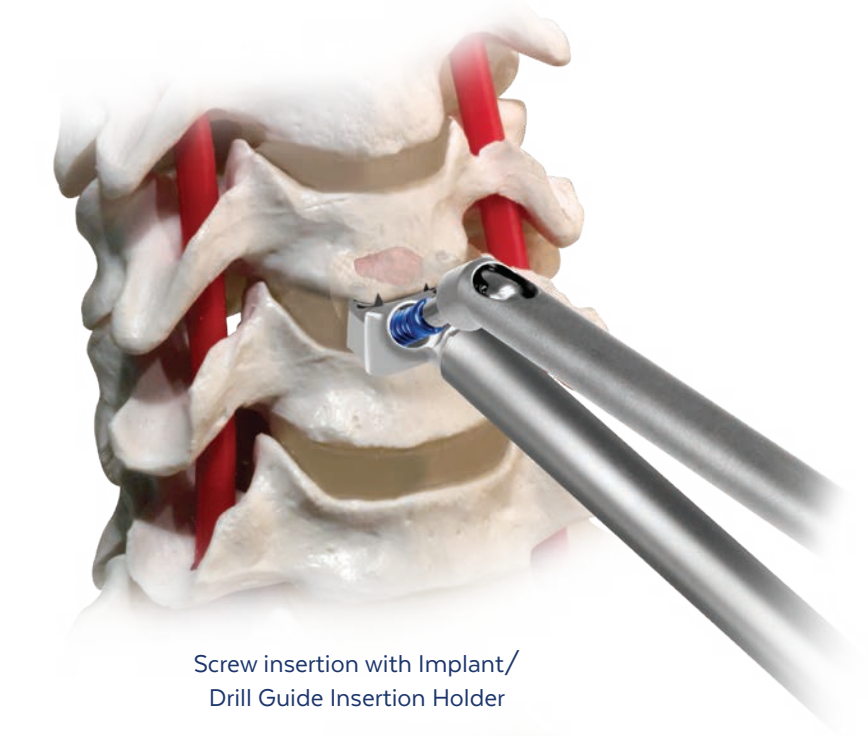
Grip the drill sleeve with Drill Sleeve Adjuster



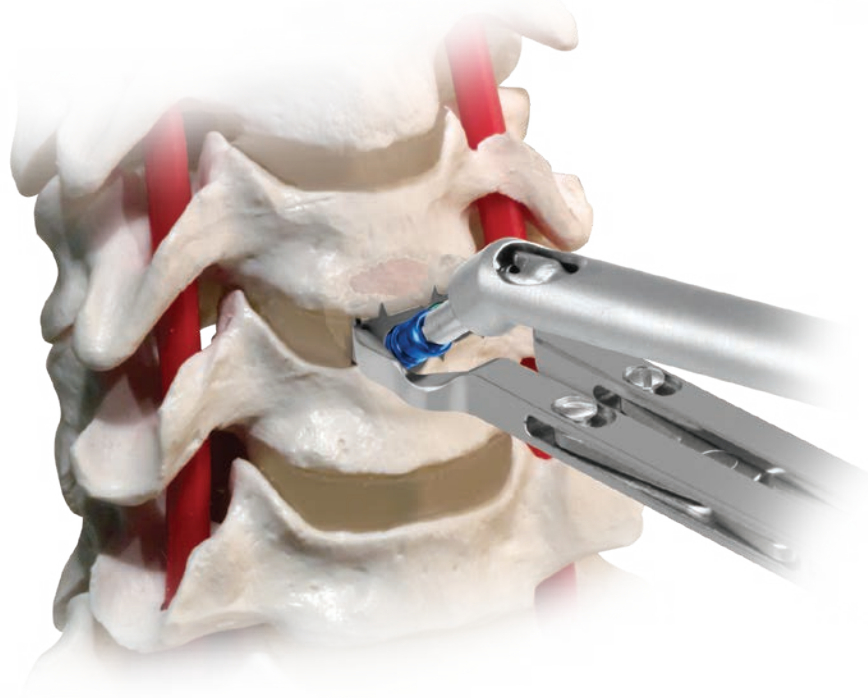
Pull sleeve distally prior to use

STEP**7****SCREW INSERTION**

Load the desired screw using the **Angled Driver Assembly**.^{*} Confirm screw length and diameter using the gauges within the screw module. Insert the screw through the screw hole. As the screw is inserted, the implant lags to the bone. Repeat for the second screw.



Screw insertion with Implant/
Drill Guide Insertion Holder

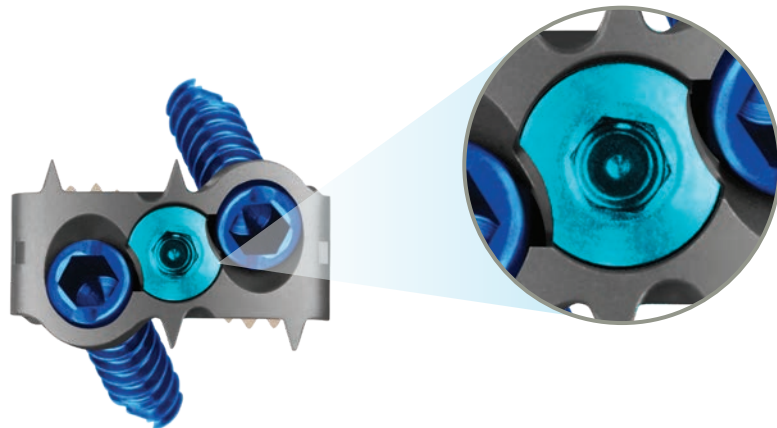


Screw insertion with Lateral Implant Holder

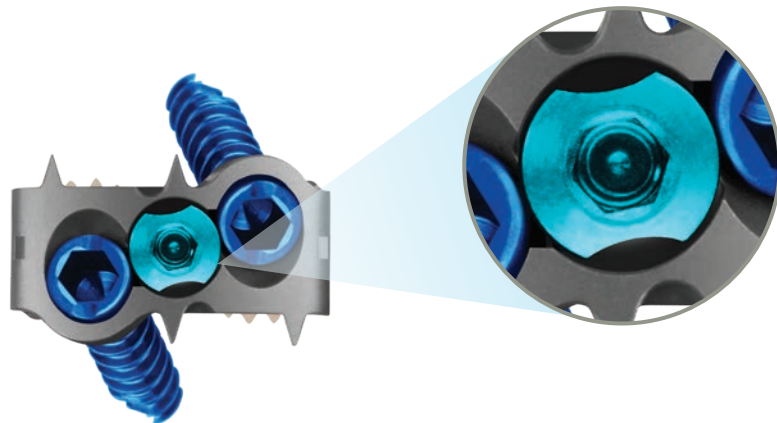
^{*}Screw depth dimensions are provided on page 29.

STEP**8****SCREW BLOCKING**

Once the screws are fully seated within the plate, insert the **Set Screw Positioner, 2.0mm Hex, 0.3Nm Torque-Limiting** into the blocking set screw and rotate clockwise approximately 90°. The Set Screw Positioner provides audible and tactile confirmation that the screw is blocked from backing out.

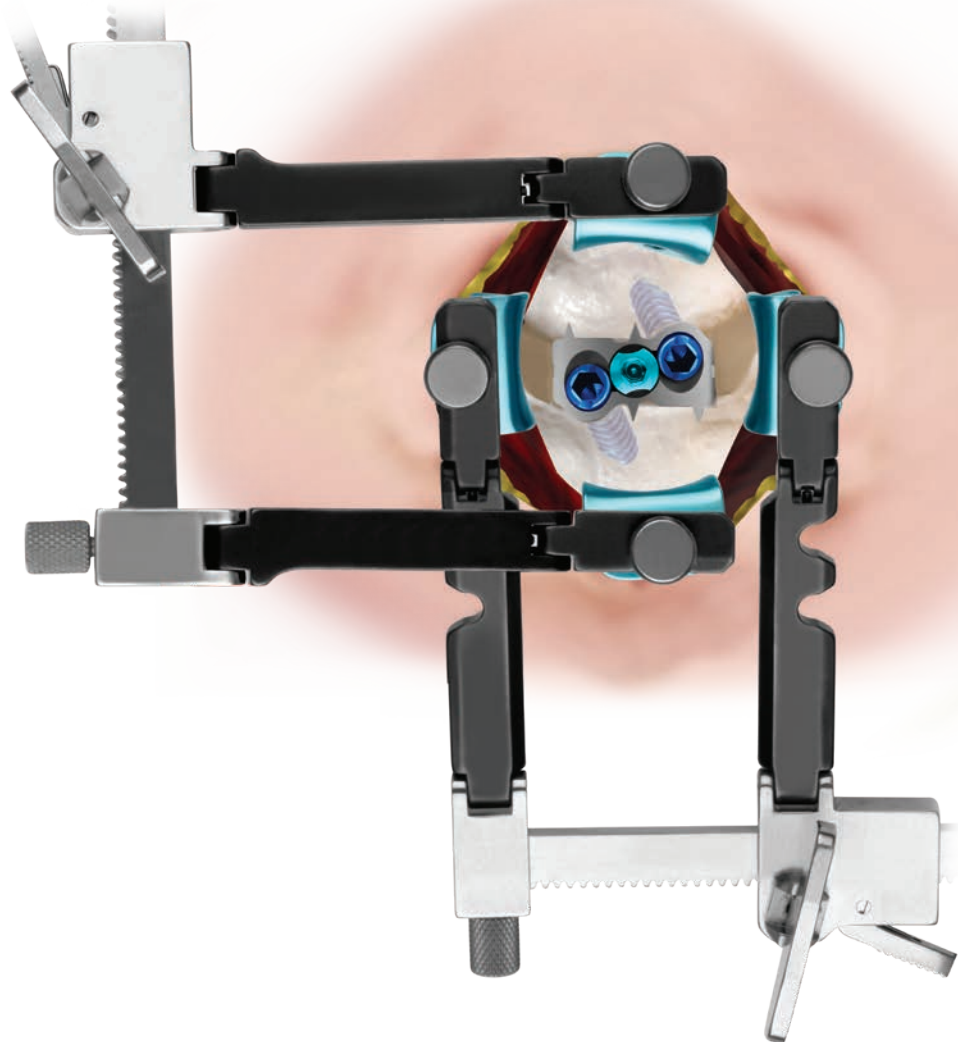
Initial Position

Cutout on blocking set screw facing bone screw

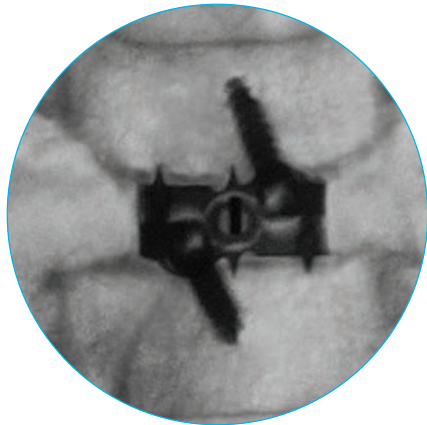
Final Position

Cutout on blocking set screw facing away from bone screw

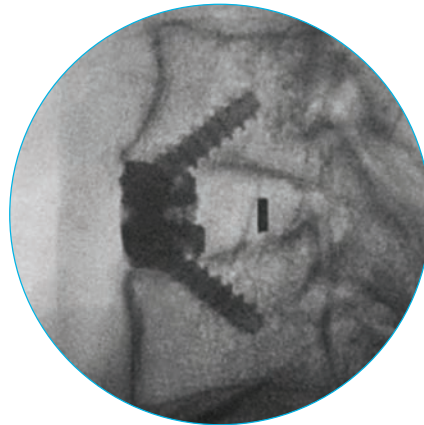
FINAL POSITION



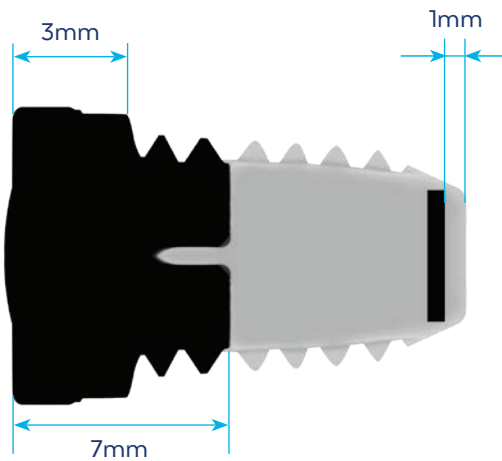
FINAL POSITION (CONT'D)



Anterior/Posterior View



Lateral View



Radiographic Markers

OPTIONAL TECHNIQUES

Two Level Insertion

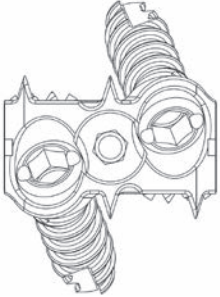
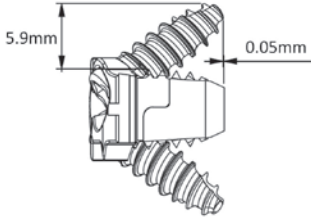
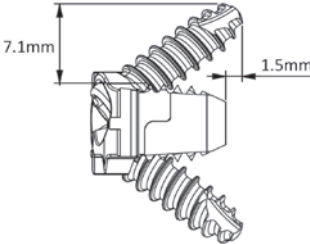
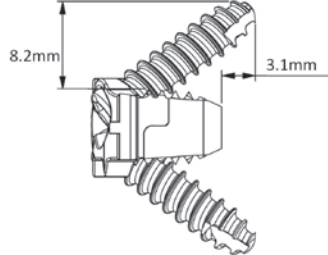
To implant a second spacer at an adjacent level, repeat Steps 2-8 for the second treated level.

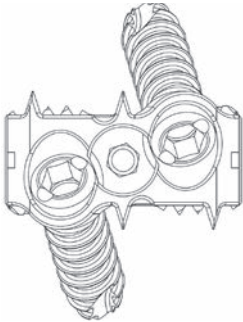
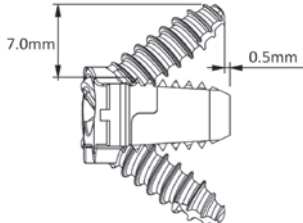
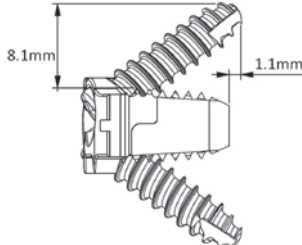
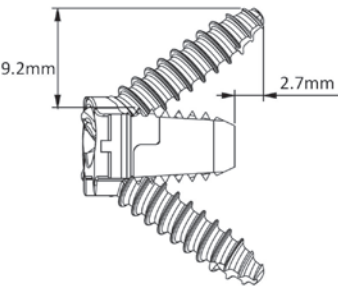
Removal

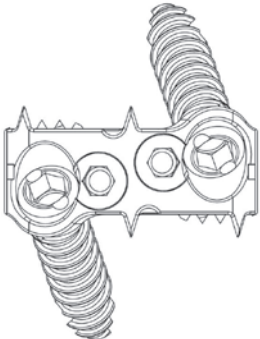
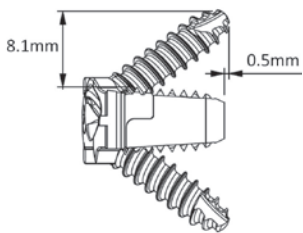
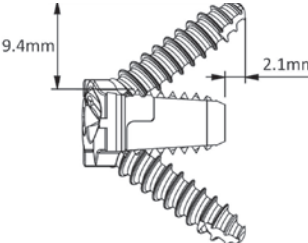
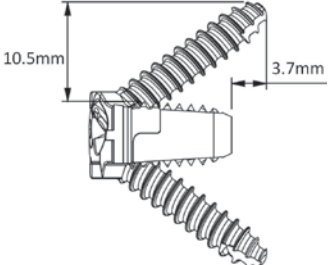
For implant removal, unlock the set screws and remove the screws using a screwdriver. Implant removal may be performed using forceps or other manual surgical instruments.

ADDITIONAL SPECIFICATIONS

Screw Depths









12x14mm	12mm Screws	14mm Screws	16mm Screws
			

14x16mm	14mm Screws	16mm Screws	18mm Screws
			

15x18mm	16mm Screws	18mm Screws	20mm Screws
			

ADDITIONAL SPECIFICATIONS

Instrument Dimensions

Instrument	Diameter (mm)	Depth (mm)	Design
Straight/Bent Awl	2.4	8.6	
Retractable Awl	2.4	8.6	
Straight/Angled Taps	3.5	10.4	
12mm Drill	2.4	8.6	
14mm Drill	2.4	10.6	
16mm Drill	2.4	12.6	
18mm Drill	2.4	14.6	
20mm Drill	2.4	16.6	

ADDITIONAL SPECIFICATIONS

Bone Graft Volume

COALITION® Bone Graft Volume (cc)						
Height	12x14mm		14x16mm		15x18mm	
	0°	7°	0°	7°	0°	7°
5mm	0.20	0.18	0.32	0.29	0.41	0.37
6mm	0.24	0.22	0.38	0.35	0.49	0.45
7mm	0.28	0.26	0.44	0.41	0.56	0.52
8mm	0.31	0.30	0.50	0.47	0.64	0.60
9mm	0.35	0.33	0.56	0.53	0.71	0.67
10mm	0.39	0.37	0.62	0.59	0.79	0.75
11mm	0.42	0.41	0.68	0.65	0.86	0.82
12mm	0.46	0.44	0.74	0.71	0.94	0.90

COALITION® 12° Bone Graft Volume (cc)			
Height	12x14mm	14x16mm	15x18mm
6mm	0.21	0.33	0.41
7mm	0.25	0.39	0.49
8mm	0.29	0.44	0.56
9mm	0.32	0.50	0.64
10mm	0.36	0.56	0.71
11mm	0.40	0.62	0.79
12mm	0.43	0.68	0.86

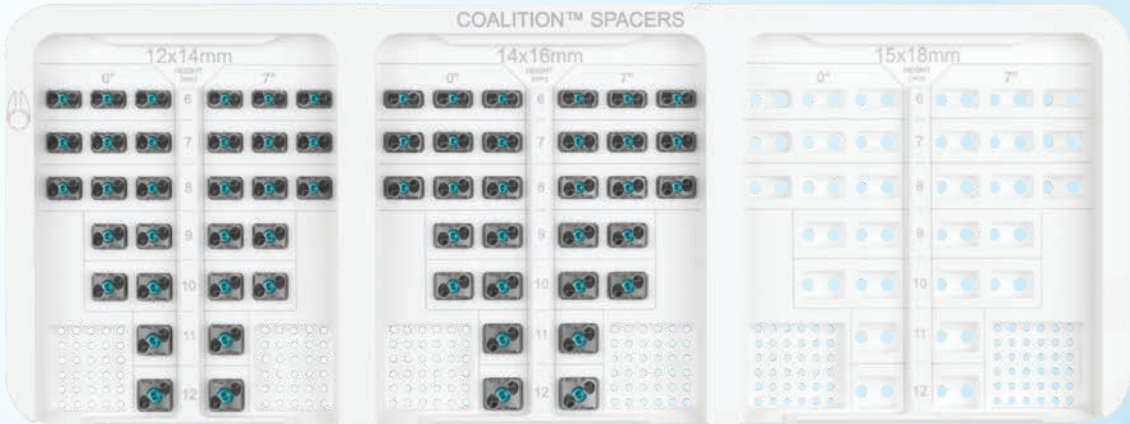
COALITION®

IMPLANT SET 984.901

Part No.	Description	Qty
384.005	COALITION® Spacer, 12x14mm, 0°, 5mm	1
384.006	COALITION® Spacer, 12x14mm, 0°, 6mm	3
384.007	COALITION® Spacer, 12x14mm, 0°, 7mm	3
384.008	COALITION® Spacer, 12x14mm, 0°, 8mm	3
384.009	COALITION® Spacer, 12x14mm, 0°, 9mm	2
384.010	COALITION® Spacer, 12x14mm, 0°, 10mm	2
384.011	COALITION® Spacer, 12x14mm, 0°, 11mm	1
384.012	COALITION® Spacer, 12x14mm, 0°, 12mm	1
384.105	COALITION® Spacer, 12x14mm, 7°, 5mm	1
384.106	COALITION® Spacer, 12x14mm, 7°, 6mm	3
384.107	COALITION® Spacer, 12x14mm, 7°, 7mm	3
384.108	COALITION® Spacer, 12x14mm, 7°, 8mm	3
384.109	COALITION® Spacer, 12x14mm, 7°, 9mm	2
384.110	COALITION® Spacer, 12x14mm, 7°, 10m	2
384.111	COALITION® Spacer, 12x14mm, 7°, 11mm	1
384.112	COALITION® Spacer, 12x14mm, 7°, 12mm	1
384.205	COALITION® Spacer, 14x16mm, 0°, 5mm	1
384.206	COALITION® Spacer, 14x16mm, 0°, 6mm	3
384.207	COALITION® Spacer, 14x16mm, 0°, 7mm	3
384.208	COALITION® Spacer, 14x16mm, 0°, 8mm	3
384.209	COALITION® Spacer, 14x16mm, 0°, 9mm	2
384.210	COALITION® Spacer, 14x16mm, 0°, 10mm	2
384.211	COALITION® Spacer, 14x16mm, 0°, 11mm	1
384.212	COALITION® Spacer, 14x16mm, 0°, 12mm	1
384.305	COALITION® Spacer, 14x16mm, 7°, 5mm	1
384.306	COALITION® Spacer, 14x16mm, 7°, 6mm	3
384.307	COALITION® Spacer, 14x16mm, 7°, 7mm	3
384.308	COALITION® Spacer, 14x16mm, 7°, 8mm	3
384.309	COALITION® Spacer, 14x16mm, 7°, 9mm	2
384.310	COALITION® Spacer, 14x16mm, 7°, 10mm	2
384.311	COALITION® Spacer, 14x16mm, 7°, 11mm	1
384.312	COALITION® Spacer, 14x16mm, 7°, 12mm	1
984.001	COALITION® Implant Module	

NOTE: Set configuration may vary depending on location. Please consult your Globus Medical Sales Representative.

COALITION[®] IMPLANT SET 984.901



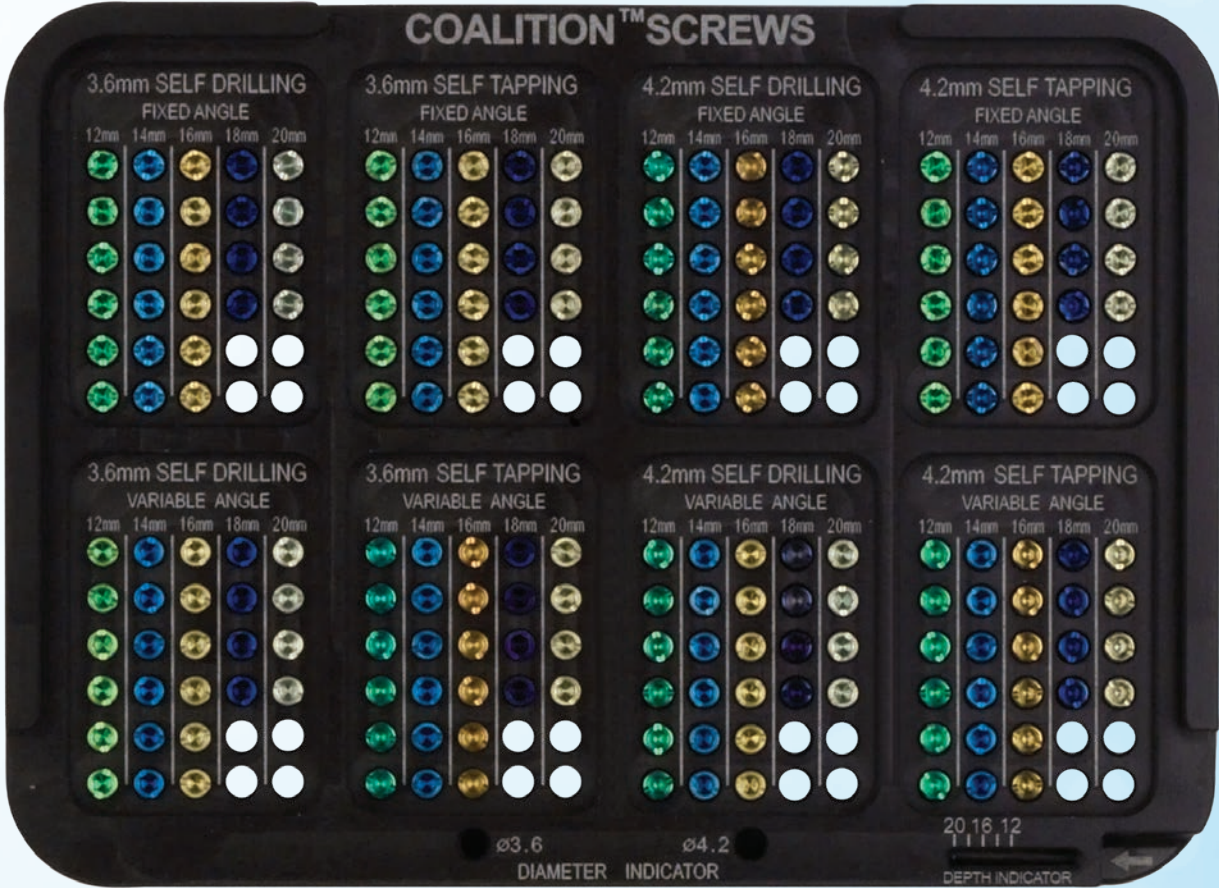
COALITION®

IMPLANT SET 984.902

Part No.	Description	Qty	Part No.	Description	Qty
184.012	4.2mm Bone Screw, Variable, Self-Tapping, 12mm	6	184.118	3.6mm Bone Screw, Variable, Self-Tapping, 18mm	4
184.014	4.2mm Bone Screw, Variable, Self-Tapping, 14mm	6	184.120	3.6mm Bone Screw, Variable, Self-Tapping, 20mm	4
184.016	4.2mm Bone Screw, Variable, Self-Tapping, 16mm	6	184.132	3.6mm Bone Screw, Fixed, Self-Tapping, 12mm	6
184.018	4.2mm Bone Screw, Variable, Self-Tapping, 18mm	4	184.134	3.6mm Bone Screw, Fixed, Self-Tapping, 14mm	6
184.020	4.2mm Bone Screw, Variable, Self-Tapping, 20mm	4	184.136	3.6mm Bone Screw, Fixed, Self-Tapping, 16mm	6
184.032	4.2mm Bone Screw, Fixed, Self-Tapping, 12mm	6	184.138	3.6mm Bone Screw, Fixed, Self-Tapping, 18mm	4
184.034	4.2mm Bone Screw, Fixed, Self-Tapping, 14mm	6	184.140	3.6mm Bone Screw, Fixed, Self-Tapping, 20mm	4
184.036	4.2mm Bone Screw, Fixed, Self-Tapping, 16mm	6	184.152	3.6mm Bone Screw, Variable, Self-Drilling, 12mm	6
184.038	4.2mm Bone Screw, Fixed, Self-Tapping, 18mm	4	184.154	3.6mm Bone Screw, Variable, Self-Drilling, 14mm	6
184.040	4.2mm Bone Screw, Fixed, Self-Tapping, 20mm	4	184.156	3.6mm Bone Screw, Variable, Self-Drilling, 16mm	6
184.052	4.2mm Bone Screw, Variable, Self-Drilling, 12mm	6	184.158	3.6mm Bone Screw, Variable, Self-Drilling, 18mm	4
184.054	4.2mm Bone Screw, Variable, Self-Drilling, 14mm	6	184.160	3.6mm Bone Screw, Variable, Self-Drilling, 20mm	4
184.056	4.2mm Bone Screw, Variable, Self-Drilling, 16mm	6	184.172	3.6mm Bone Screw, Fixed, Self-Drilling, 12mm	6
184.058	4.2mm Bone Screw, Variable, Self-Drilling, 18mm	4	184.174	3.6mm Bone Screw, Fixed, Self-Drilling, 14mm	6
184.060	4.2mm Bone Screw, Variable, Self-Drilling, 20mm	4	184.176	3.6mm Bone Screw, Fixed, Self-Drilling, 16mm	6
184.072	4.2mm Bone Screw, Fixed, Self-Drilling, 12mm	6	184.178	3.6mm Bone Screw, Fixed, Self-Drilling, 18mm	4
184.074	4.2mm Bone Screw, Fixed, Self-Drilling, 14mm	6	184.180	3.6mm Bone Screw, Fixed, Self-Drilling, 20mm	4
184.076	4.2mm Bone Screw, Fixed, Self-Drilling, 16mm	6			
184.078	4.2mm Bone Screw, Fixed, Self-Drilling, 18mm	4	984.002	COALITION® Screw Module	
184.080	4.2mm Bone Screw, Fixed, Self-Drilling, 20mm	4			
184.112	3.6mm Bone Screw, Variable, Self-Tapping, 12mm	6			
184.114	3.6mm Bone Screw, Variable, Self-Tapping, 14mm	6			
184.116	3.6mm Bone Screw, Variable, Self-Tapping, 16mm	6			

NOTE: Set configuration may vary depending on location. Please consult your Globus Medical Sales Representative.

COALITION[®] IMPLANT SET 984.902



COALITION®

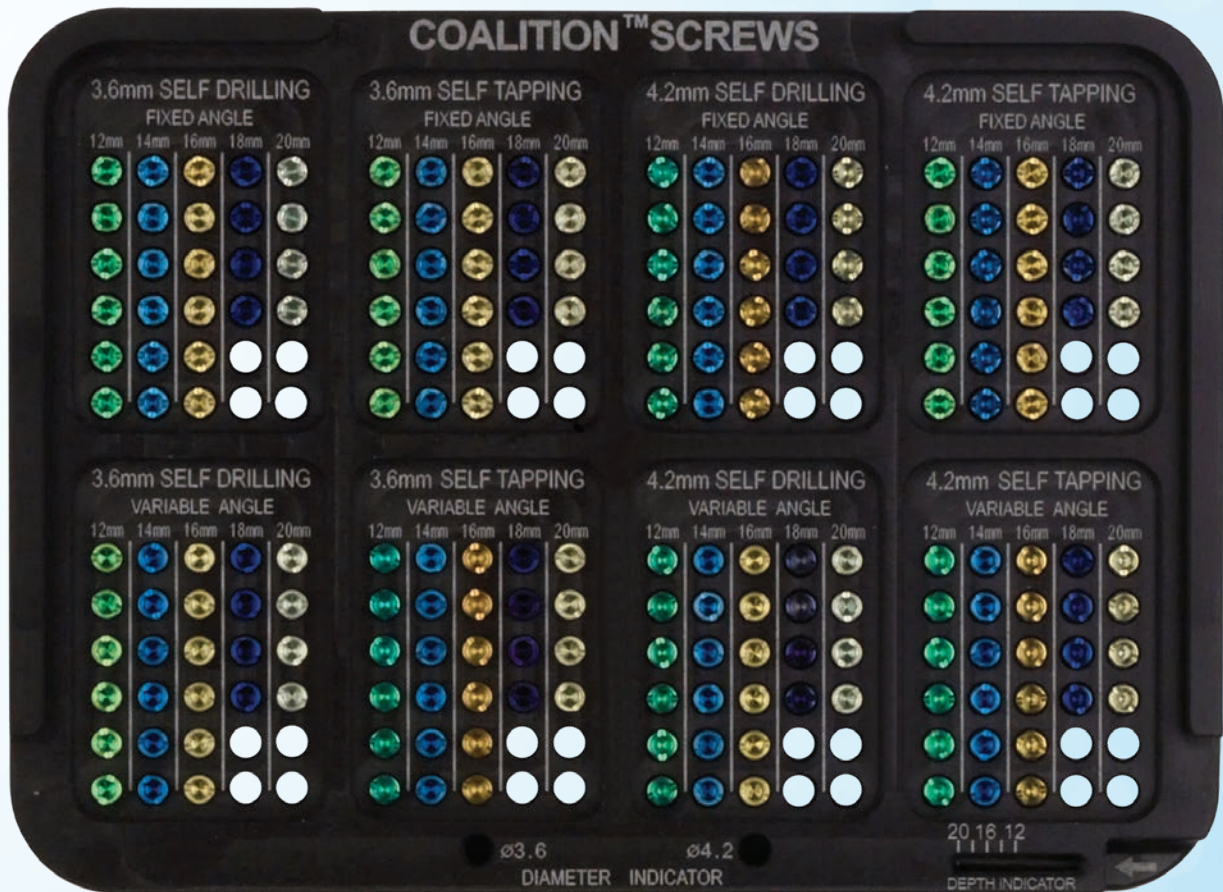
IMPLANT SET 984.902 (CONT'D)

Additionally Available

Part No.	Description	Qty
384.405	COALITION® Spacer, 15x18mm, 0°, 5mm	1
384.406	COALITION® Spacer, 15x18mm, 0°, 6mm	3
384.407	COALITION® Spacer, 15x18mm, 0°, 7mm	3
384.408	COALITION® Spacer, 15x18mm, 0°, 8mm	3
384.409	COALITION® Spacer, 15x18mm, 0°, 9mm	2
384.410	COALITION® Spacer, 15x18mm, 0°, 10mm	2
384.411	COALITION® Spacer, 15x18mm, 0°, 11mm	1
384.412	COALITION® Spacer, 15x18mm, 0°, 12mm	1
384.505	COALITION® Spacer, 15x18mm, 7°, 5mm	1
384.506	COALITION® Spacer, 15x18mm, 7°, 6mm	3
384.507	COALITION® Spacer, 15x18mm, 7°, 7mm	3
384.508	COALITION® Spacer, 15x18mm, 7°, 8mm	3
384.509	COALITION® Spacer, 15x18mm, 7°, 9mm	2
384.510	COALITION® Spacer, 15x18mm, 7°, 10mm	2
384.511	COALITION® Spacer, 15x18mm, 7°, 11mm	1
384.512	COALITION® Spacer, 15x18mm, 7°, 12mm	1

NOTE: Set configuration may vary depending on location. Please consult your Globus Medical Sales Representative.

COALITION[®] IMPLANT SET 984.902 (CONT'D)



COALITION®

INSTRUMENT SET 984.907

	Instrument	Qty
1	636.450 Quick-Connect Handle, Swivel	2
2	650.312 Set Screw Positioner, 2.0mm Hex, Torque-Limiting	1
3	665.705 COLONIAL® X-Large Trial, Lordotic, 5mm	1
	665.706 COLONIAL® X-Large Trial, Lordotic, 6mm	1
	665.707 COLONIAL® X-Large Trial, Lordotic, 7mm	1
	665.708 COLONIAL® X-Large Trial, Lordotic, 8mm	1
	665.709 COLONIAL® X-Large Trial, Lordotic, 9mm	1
	665.710 COLONIAL® X-Large Trial, Lordotic, 10mm	1
	665.711 COLONIAL® X-Large Trial, Lordotic, 11mm	1
	665.712 COLONIAL® X-Large Trial, Lordotic, 12mm	1
4	665.805 COLONIAL® X-Large Trial, Parallel, 5mm	1
	665.806 COLONIAL® X-Large Trial, Parallel, 6mm	1
	665.807 COLONIAL® X-Large Trial, Parallel, 7mm	1
	665.808 COLONIAL® X-Large Trial, Parallel, 8mm	1
	665.809 COLONIAL® X-Large Trial, Parallel, 9mm	1
	665.810 COLONIAL® X-Large Trial, Parallel, 10mm	1
	665.811 COLONIAL® X-Large Trial, Parallel, 11mm	1
	665.812 COLONIAL® X-Large Trial, Parallel, 12mm	1
5	671.313 Screwdriver, 2.1mm Hex, QC	1
6	684.001 Implant/Drill Guide Insertion Holder	2
7	684.403 Awl with Self-Centering Sleeve, Straight	1
	684.404 Awl with Self-Centering Sleeve, Bent	1
8	684.004 Tap, Straight	1
9	684.006 Awl with Retractable Sleeve	1
10	684.155 DTS Guide, Pre-Set Angle, 12x14mm, 5mm	1
	684.156 DTS Guide, Pre-Set Angle, 12x14mm, 6mm	1
	684.157 DTS Guide, Pre-Set Angle, 12x14mm, 7mm	1
	684.158 DTS Guide, Pre-Set Angle, 12x14mm, 8mm	1
	684.159 DTS Guide, Pre-Set Angle, 12x14mm, 9mm	1
	684.160 DTS Guide, Pre-Set Angle, 12x14mm, 10mm	1
	684.161 DTS Guide, Pre-Set Angle, 12x14mm, 11mm	1
	684.162 DTS Guide, Pre-Set Angle, 12x14mm, 12mm	1

NOTE: Set configuration may vary depending on location. Please consult your Globus Medical Sales Representative.

COALITION[®] INSTRUMENT SET 984.907



COALITION®

INSTRUMENT SET 984.907 (CONT'D)

	Instrument	Qty
11	684.165 DTS Guide, Pre-Set Angle, 14x16mm, 5mm	1
	684.166 DTS Guide, Pre-Set Angle, 14x16mm, 6mm	1
	684.167 DTS Guide, Pre-Set Angle, 14x16mm, 7mm	1
	684.168 DTS Guide, Pre-Set Angle, 14x16mm, 8mm	1
	684.169 DTS Guide, Pre-Set Angle, 14x16mm, 9mm	1
	684.170 DTS Guide, Pre-Set Angle, 14x16mm, 10mm	1
	684.171 DTS Guide, Pre-Set Angle, 14x16mm, 11mm	1
	684.172 DTS Guide, Pre-Set Angle, 14x16mm, 12mm	1
12	684.113 Free Hand Gripping Tip, 12x14mm	1
13	684.123 Free Hand Gripping Tip, 14x16mm	1
14	684.422 Straight Drill with Self-Centering Sleeve, 12mm	1
15	684.424 Straight Drill with Self-Centering Sleeve, 14mm	1
16	684.426 Straight Drill with Self-Centering Sleeve, 16mm	1
17	684.428 Straight Drill with Self-Centering Sleeve, 18mm	1
18	684.430 Straight Drill with Self-Centering Sleeve, 20mm	1
19	684.305 Screwdriver, 2.5mm Hex, Self-Retaining, with Cap	2
20	684.309 Drill Sleeve Adjuster	1
21	684.400 Lateral Holder	1
22	684.401 Self-Centering Sleeve - Short	2
23	684.402 Self-Centering Sleeve - Long	2
24	684.415 Angled Sleeve	2
25	684.416 Backing Nut	2
26	684.417 Angled Driving Shaft	2
27	684.418 Hex Driver Assembly	2
28	684.419 Angled Tap Tip	1
29	684.421 Counter-Torque, Angled Instrument	1
30	684.432 Angled Drill Tip with Self-Centering Sleeve, 12mm	1
31	684.434 Angled Drill Tip with Self-Centering Sleeve, 14mm	1
32	684.436 Angled Drill Tip with Self-Centering Sleeve, 16mm	1
33	684.438 Angled Drill Tip with Self-Centering Sleeve, 18mm	1
34	684.440 Angled Drill Tip with Self-Centering Sleeve, 20mm	1
	984.003 COALITION® Instrument Graphic Case	
	984.004 COALITION® Module, Angled Instruments	

NOTE: Set configuration may vary depending on location. Please consult your Globus Medical Sales Representative.

COALITION®

INSTRUMENT SET 984.907 (CONT'D)

Additionally Available

Part No.	Description	Qty
665.045	COLONIAL® ACDF Trial, XXL, Parallel, 5mm	1
665.046	COLONIAL® ACDF Trial, XXL, Parallel, 6mm	1
665.047	COLONIAL® ACDF Trial, XXL, Parallel, 7mm	1
665.048	COLONIAL® ACDF Trial, XXL, Parallel, 8mm	1
665.049	COLONIAL® ACDF Trial, XXL, Parallel, 9mm	1
665.050	COLONIAL® ACDF Trial, XXL, Parallel, 10mm	1
665.051	COLONIAL® ACDF Trial, XXL, Parallel, 11mm	1
665.052	COLONIAL® ACDF Trial, XXL, Parallel, 12mm	1
665.065	COLONIAL® ACDF Trial, XXL, Lordotic, 5mm	1
665.066	COLONIAL® ACDF Trial, XXL, Lordotic, 6mm	1
665.067	COLONIAL® ACDF Trial, XXL, Lordotic, 7mm	1
665.068	COLONIAL® ACDF Trial, XXL, Lordotic, 8mm	1
665.069	COLONIAL® ACDF Trial, XXL, Lordotic, 9mm	1
665.070	COLONIAL® ACDF Trial, XXL, Lordotic, 10mm	1
665.071	COLONIAL® ACDF Trial, XXL, Lordotic, 11mm	1
665.072	COLONIAL® ACDF Trial, XXL, Lordotic, 12mm	1
684.133	Free Hand Gripping Tip, 15x18mm	1
684.175	DTS Guide, Pre-Set Angle, 15x18mm, 5mm	1
684.176	DTS Guide, Pre-Set Angle, 15x18mm, 6mm	1
684.177	DTS Guide, Pre-Set Angle, 15x18mm, 7mm	1
684.178	DTS Guide, Pre-Set Angle, 15x18mm, 8mm	1
684.179	DTS Guide, Pre-Set Angle, 15x18mm, 9mm	1
684.180	DTS Guide, Pre-Set Angle, 15x18mm, 10mm	1
684.181	DTS Guide, Pre-Set Angle, 15x18mm, 11mm	1
684.182	DTS Guide, Pre-Set Angle, 15x18mm, 12mm	1

NOTE: Set configuration may vary depending on location. Please consult your Globus Medical Sales Representative.

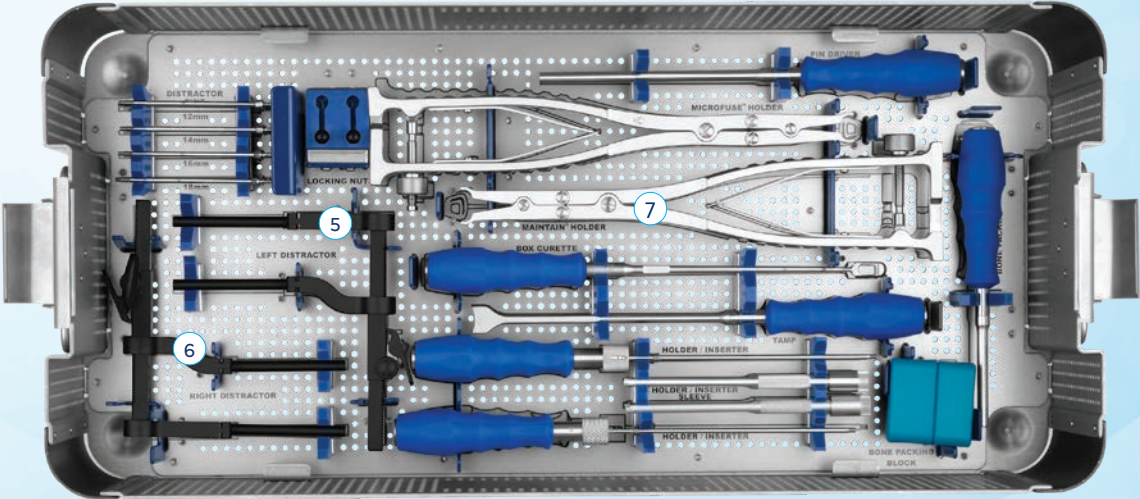
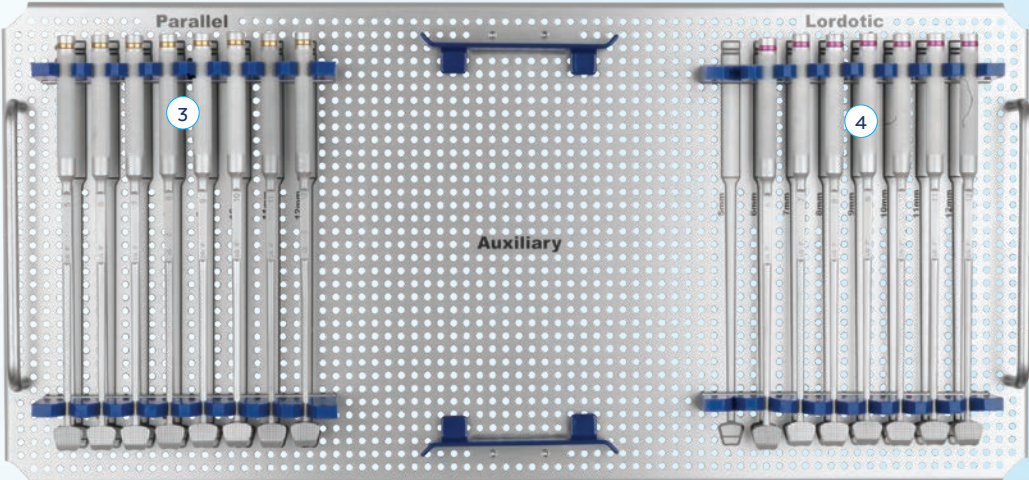
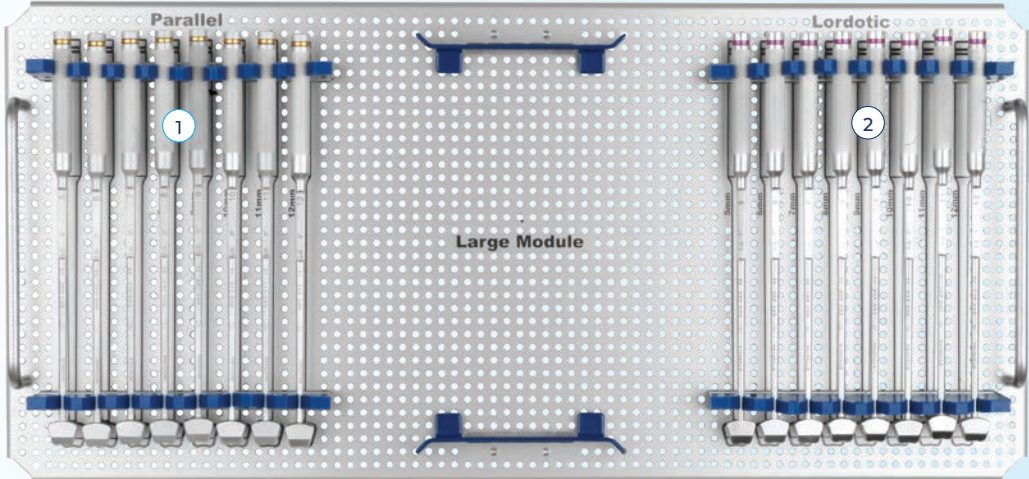
COLONIAL[®]

INSTRUMENT SET 965.905

	Instrument	Qty	
1	665.305	COLONIAL [®] Large Trial, Parallel, 5mm	1
	665.306	COLONIAL [®] Large Trial, Parallel, 6mm	1
	665.307	COLONIAL [®] Large Trial, Parallel, 7mm	1
	665.308	COLONIAL [®] Large Trial, Parallel, 8mm	1
	665.309	COLONIAL [®] Large Trial, Parallel, 9mm	1
	665.310	COLONIAL [®] Large Trial, Parallel, 10mm	1
	665.311	COLONIAL [®] Large Trial, Parallel, 11mm	1
	665.312	COLONIAL [®] Large Trial, Parallel, 12mm	1
2	665.405	COLONIAL [®] Large Trial, Lordotic, 5mm	1
	665.406	COLONIAL [®] Large Trial, Lordotic, 6mm	1
	665.407	COLONIAL [®] Large Trial, Lordotic, 7mm	1
	665.408	COLONIAL [®] Large Trial, Lordotic, 8mm	1
	665.409	COLONIAL [®] Large Trial, Lordotic, 9mm	1
	665.410	COLONIAL [®] Large Trial, Lordotic, 10mm	1
	665.411	COLONIAL [®] Large Trial, Lordotic, 11mm	1
	665.412	COLONIAL [®] Large Trial, Lordotic, 12mm	1
3	665.325	COLONIAL [®] Rasp, Large, Parallel, 5mm	1
	665.326	COLONIAL [®] Rasp, Large, Parallel, 6mm	1
	665.327	COLONIAL [®] Rasp, Large, Parallel, 7mm	1
	665.328	COLONIAL [®] Rasp, Large, Parallel, 8mm	1
	665.329	COLONIAL [®] Rasp, Large, Parallel, 9mm	1
	665.330	COLONIAL [®] Rasp, Large, Parallel, 10mm	1
	665.331	COLONIAL [®] Rasp, Large, Parallel, 11mm	1
	665.332	COLONIAL [®] Rasp, Large, Parallel, 12mm	1
4	665.426	COLONIAL [®] Rasp, Large, Lordotic, 6mm	1
	665.427	COLONIAL [®] Rasp, Large, Lordotic, 7mm	1
	665.428	COLONIAL [®] Rasp, Large, Lordotic, 8mm	1
	665.429	COLONIAL [®] Rasp, Large, Lordotic, 9mm	1
	665.430	COLONIAL [®] Rasp, Large, Lordotic, 10mm	1
	665.431	COLONIAL [®] Rasp, Large, Lordotic, 11mm	1
	665.432	COLONIAL [®] Rasp, Large, Lordotic, 12mm	1
5	601.020	Distractor, Left	1
6	601.021	Distractor, Right	1
7	601.135	MAINTAIN [®] Holder	1

NOTE: Set configuration may vary depending on location. Please consult your Globus Medical Sales Representative.

COLONIAL[®] INSTRUMENT SET 965.905



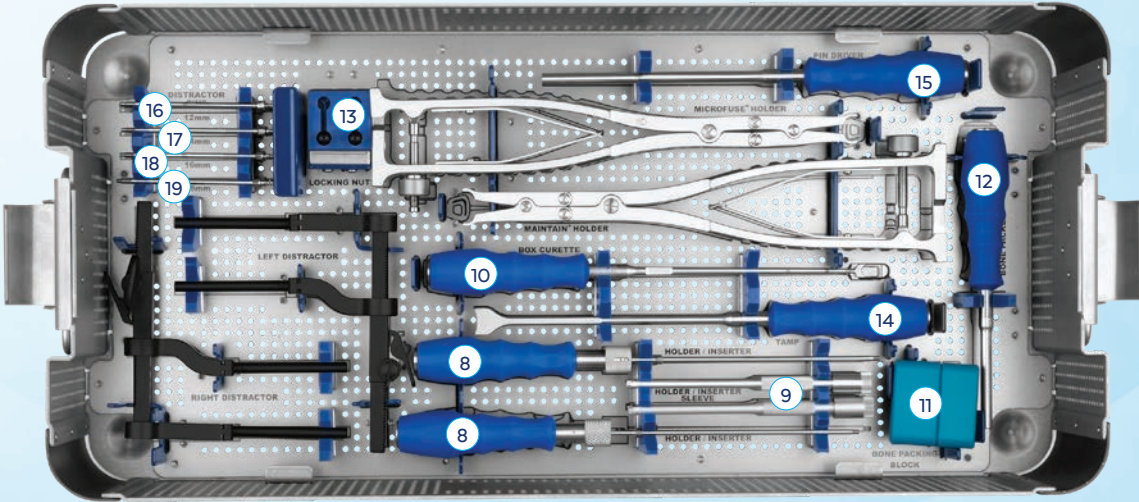
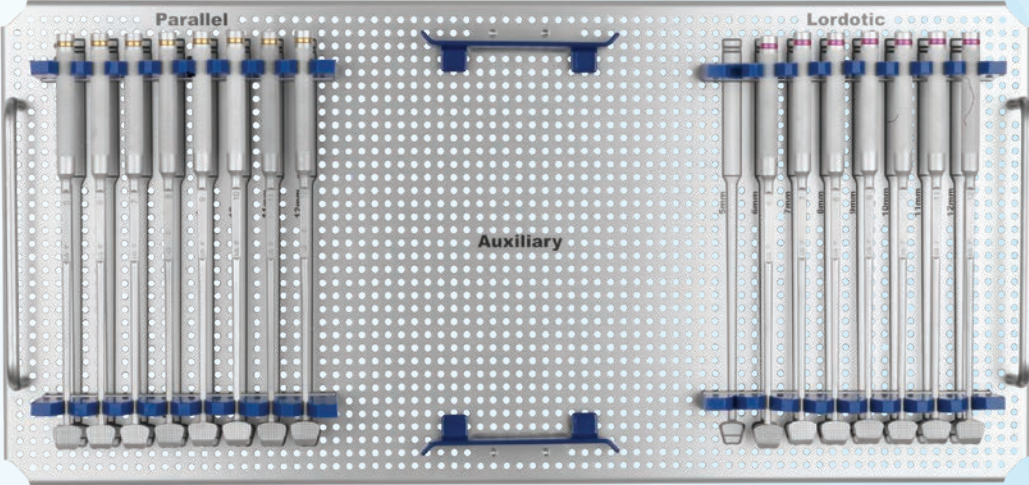
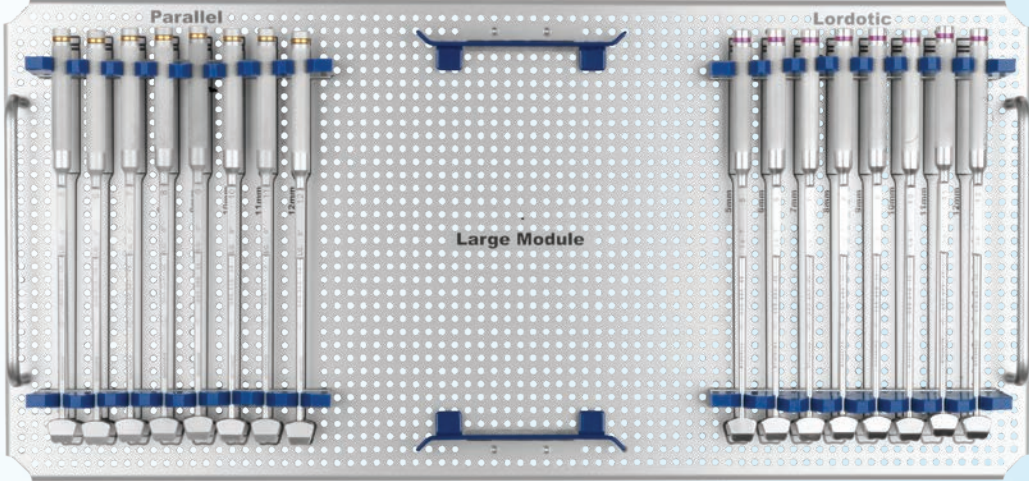
COLONIAL[®]

INSTRUMENT SET 965.905 (CONT'D)

	Instrument	Qty
8	665.500 Implant Insertion Shaft	2
9	665.501 Implant Insertion Sleeve	2
10	665.502 Box Curette	1
11	665.503 Bone Packing Block	1
12	665.504 Bone Packer	1
13	665.606 Distractor Locking Nuts	4
14	665.607 Impactor	1
15	665.608 Distractor Pin Driver	1
16	665.612 Distractor Pin, 12mm	2
17	665.614 Distractor Pin, 14mm	2
18	665.616 Distractor Pin, 16mm	2
19	665.618 Distractor Pin, 18mm	2
	965.005 COLONIAL [®] Graphic Case	

NOTE: Set configuration may vary depending on location. Please consult your Globus Medical Sales Representative.

COLONIAL[®] INSTRUMENT SET 965.905 (CONT'D)



COALITION® 12° SET 984.910

Part No.	Implants	Qty
384.606	COALITION® Spacer, 12x14mm, 12°, 6mm	3
384.607	COALITION® Spacer, 12x14mm, 12°, 7mm	3
384.608	COALITION® Spacer, 12x14mm, 12°, 8mm	3
384.609	COALITION® Spacer, 12x14mm, 12°, 9mm	2
384.610	COALITION® Spacer, 12x14mm, 12°, 10mm	2
384.611	COALITION® Spacer, 12x14mm, 12°, 11mm	1
384.612	COALITION® Spacer, 12x14mm, 12°, 12mm	1
384.616	COALITION® Spacer, 14x16mm, 12°, 6mm	3
384.617	COALITION® Spacer, 14x16mm, 12°, 7mm	3
384.618	COALITION® Spacer, 14x16mm, 12°, 8mm	3
384.619	COALITION® Spacer, 14x16mm, 12°, 9mm	2
384.620	COALITION® Spacer, 14x16mm, 12°, 10mm	2
384.621	COALITION® Spacer, 14x16mm, 12°, 11mm	1
384.622	COALITION® Spacer, 14x16mm, 12°, 12mm	1
384.626	COALITION® Spacer, 15x18mm, 12°, 6mm	3
384.627	COALITION® Spacer, 15x18mm, 12°, 7mm	3
384.628	COALITION® Spacer, 15x18mm, 12°, 8mm	3
384.629	COALITION® Spacer, 15x18mm, 12°, 9mm	2
384.630	COALITION® Spacer, 15x18mm, 12°, 10mm	2
384.631	COALITION® Spacer, 15x18mm, 12°, 11mm	1
384.632	COALITION® Spacer, 15x18mm, 12°, 12mm	1
984.014	COALITION® Implant Module, 12° Implants	

NOTE: Set configuration may vary depending on location. Please consult your Globus Medical Sales Representative.

COALITION® 12° SET 984.910

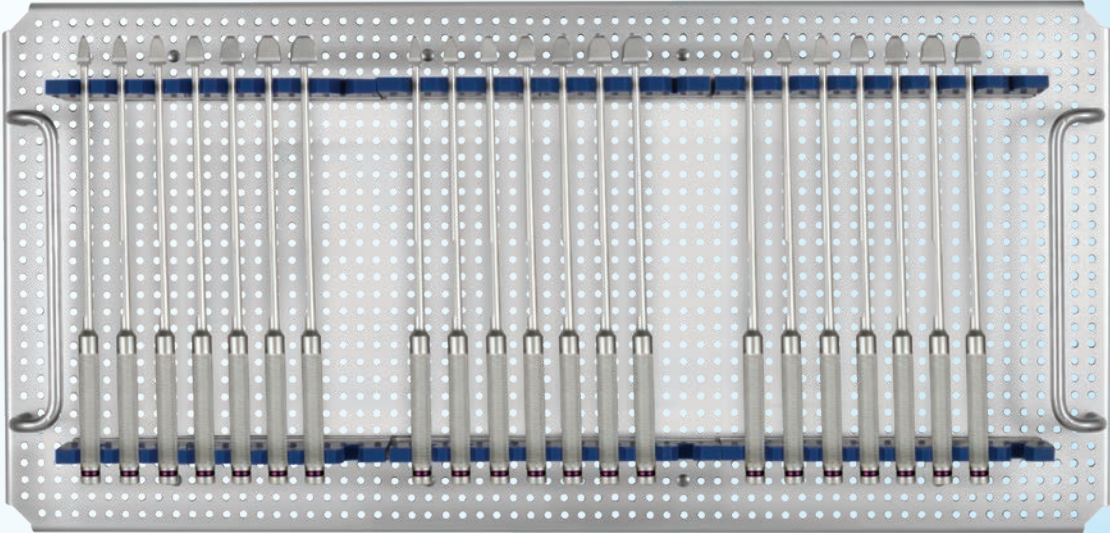


COALITION® 12° SET 984.910

Part No.	Instruments	Qty
684.726	COALITION® Trial, 12x14mm, 12°, 6mm	1
684.727	COALITION® Trial, 12x14mm, 12°, 7mm	1
684.728	COALITION® Trial, 12x14mm, 12°, 8mm	1
684.729	COALITION® Trial, 12x14mm, 12°, 9mm	1
684.730	COALITION® Trial, 12x14mm, 12°, 10mm	1
684.731	COALITION® Trial, 12x14mm, 12°, 11mm	1
684.732	COALITION® Trial, 12x14mm, 12°, 12mm	1
684.736	COALITION® Trial, 14x16mm, 12°, 6mm	1
684.737	COALITION® Trial, 14x16mm, 12°, 7mm	1
684.738	COALITION® Trial, 14x16mm, 12°, 8mm	1
684.739	COALITION® Trial, 14x16mm, 12°, 9mm	1
684.740	COALITION® Trial, 14x16mm, 12°, 10mm	1
684.741	COALITION® Trial, 14x16mm, 12°, 11mm	1
684.742	COALITION® Trial, 14x16mm, 12°, 12mm	1
684.746	COALITION® Trial, 15x18mm, 12°, 6mm	1
684.747	COALITION® Trial, 15x18mm, 12°, 7mm	1
684.748	COALITION® Trial, 15x18mm, 12°, 8mm	1
684.749	COALITION® Trial, 15x18mm, 12°, 9mm	1
684.750	COALITION® Trial, 15x18mm, 12°, 10mm	1
684.751	COALITION® Trial, 15x18mm, 12°, 11mm	1
684.752	COALITION® Trial, 15x18mm, 12°, 12mm	1
984.015	COALITION® 12° Graphic Case	

NOTE: Set configuration may vary depending on location. Please consult your Globus Medical Sales Representative.

COALITION® 12°
SET 984.910





Globus Medical
Valley Forge Business Center
2560 General Armistead Avenue
Audubon, PA 19403
www.globusmedical.com

Customer Service:

Phone 1-866-GLOBUS1 (or 1-866-456-2871)
Fax 1-866-GLOBUS3 (or 1-866-456-2873)

©2023 Globus Medical. All rights reserved. Patent www.globusmedical.com/patents.
Life moves us is a registered trademark of Globus Medical. Please refer to package insert for
description, indications, contraindications, warnings, precautions and other important information.



GMTGD430U
03.23 Rev D
REF GMTGD43 Rev K